

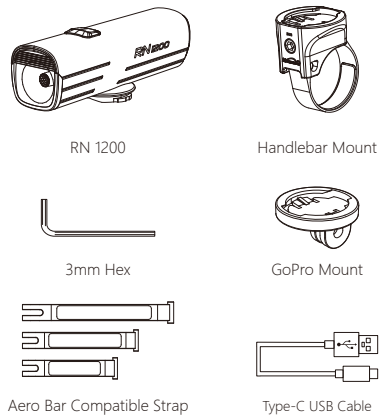
USER MANUAL



RN 1200 BICYCLE LIGHT

Thank you for purchasing this Olight Product. Please read this manual carefully before use and keep it for future reference!

IN THE BOX



SPECIFICATIONS

LUMENS / RUNTIME

MODE	LOW	MID	HIGH	FLASH 1	FLASH 2
LUMENS	300	600	1200	0-600	0-900
h:min	06:30	03:00	01:30	07:00	05:00



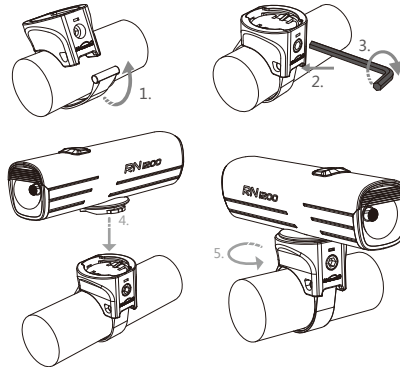
(L)4.21*(D)1.22in
(L)1.07*(D)0.31mm

161g / 5.68oz

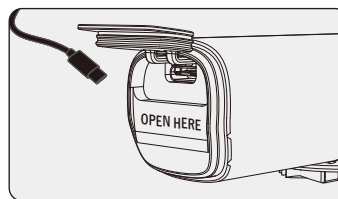
All performance measurements in accordance with ANSI/NEMA FL1-2009 Standard. The tests are performed indoors under a room temperature of 25 degrees celsius with windless conditions. The runtime may vary depending on the external temperature and ventilation conditions, and these biases may affect the results of testing.

Note: The maximum output brightness will decrease as the battery voltage decreases.

HOW TO INSTALL



HOW TO RECHARGE

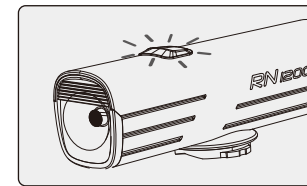
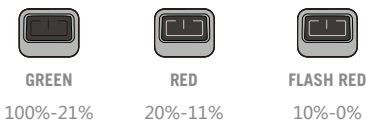


Standard Charging Time: Approx.2.5hrs (5V 3A)

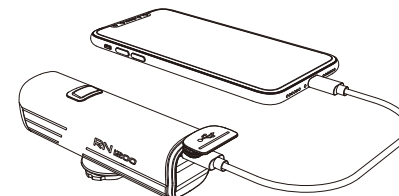
BATTERY INDICATOR

When the device is power-on, the indicator on the power button will indicate the battery level.

When the device is power-off, short press the power button to activate the indicator light (light will shut down automatically after 2 seconds).



PHONE CHARGING INSTRUCTION



(5V 2.4A)

Note: Charging cables need to be purchased separately.

LOCK MODE

To prevent potential damage from high heat or even fire, it is very important to put the bicycle light in lock mode and protect the switch from being pressed.

Lock: When the light is off, press and hold the power button about 5 seconds until the indicator flashes red.

Unlock: When the light is locked, press and hold the power button about 5 seconds until the indicator turns to constant red.



DANGER

- DO NOT shine the light directly into human eyes. This may cause temporary blindness, or permanent damage to the eyes.
- DO NOT cover the light head when the bicycle light is on, or place the bicycle light head on the ground. The radiation energy of the bicycle light may cause damage to the bicycle light itself, or even result in burning to flammable objects.

WARNING

- Keep out of reach of children.
- The light contains a lithium-ion battery. Certain restrictions may apply to this product when traveling, especially when traveling by air. Always check with your carrier for specific restrictions prior to traveling with this product.

NOTICE

- Store the light at room temperature in a dry place. Avoid moisture, or extreme hot or cold.
- Store the light in the charged condition. Avoid "deep discharge". Battery life will decrease if the light is stored in a fully discharged condition.
- Over time, the run time of the battery will diminish. Expect about 500 full charges, depending on care. After a full life, the battery will continue to charge but with a lower run time.
- When the run time is unsatisfactory, please recycle. DO NOT open the case of the light or incinerate.

EXCLUSION CLAUSE

Olight is not liable for damages or injuries sustained resulting from the usage of the product inconsistent with the warnings in the manual, including but not limited to using the product inconsistent with the recommended lockout mode.

CONTENTS

(EN) English	01
(CHS) 简体中文	02
(NED) Nederland	02
(DE) Deutsch	02
(JP) 日本語	03
(FR) Français	03
(IT) Italia	03
(PL) Polska	04

(EN) English

HOW TO OPERATE

Long press to turn on/off the light, click to change the brightness level and flash modes, and double click to switch modes. Mode memory function will save the last selected mode and brightness.

LOCK: When the light is off, press and hold the power button about 5 seconds until the indicator flashes red.

UNLOCK: When the light is locked, press and hold the power button about 5 seconds until the indicator turns to constant red.

(CHS) 简体中文

如何操作

长按开机/关机，单击切换不同亮度或闪烁方式，双击切换不同模式。再次开机进入上次关机时的模式及亮度。

锁定：关机状态下，长按开关约5秒，直到电源指示灯红色闪烁。

解锁：锁定状态下，长按开关约5秒，直到电源指示灯红色恒亮。

(NED) Nederland

HOE TE BEDIENEN

Druk lang om het licht aan/uit te zetten, klik om het helderheidsniveau en de flits modi te veranderen en dubbelklik om tussen de modi te schakelen. De modus geheugenfunctie zal de laatst geselecteerde modus en helderheid opslaan.

VERGRENDELEN: Als de lamp uit is, houdt u de aan/uit-knop ongeveer 5 seconden ingedrukt totdat het indicatielampje rood knippert.

ONTGRENDELEN: Als de lamp vergrendeld is, houdt u de aan/uit-knop ongeveer 5 seconden ingedrukt totdat het indicatielampje constant rood is.

(DE) Deutsch

BEDIENUNG

Gedrückt halten, um das Licht ein-/auszuschalten. Kurz Anklicken zum Umschalten der Helligkeitsstufe und Blitzmodi und Doppelklicken zum Umschalten der Modi. Die Modus-Speicherfunktion wird den zuletzt ausgewählten Modus und die Helligkeitsstufe speichern.

SPERREN: Wenn das Licht aus ist, halten Sie die Ein/Aus-Taste für etwa 5 Sekunden gedrückt, bis die Anzeige rot blinkt.

ENTSPERREN: Wenn das Licht gesperrt ist, halten Sie die Ein/Aus-Taste für etwa 5 Sekunden gedrückt, bis die Anzeige dauerhaft rot aufleuchtet.

(JP) 日本語

使用方法

ON/OFF ランプを長く押し、クリックして輝度のレベルとフラッシュモデルを変更し、ダブルクリックして SWITH モデルに切り替えます。モデルメモリ機能が最後のモデルと輝度の記録を残ります。

ロックする：ライトが消えているとき、赤のインジケータが点滅するまで電源ボタンを 5 秒以上長押ししてください。

ロックを解除する：ライトがロックされているとき、赤のインジケータが点灯するまで電源ボタンを 5 秒以上長押ししてください。

(FR) Français

COMMENT L'UTILISER

Appuyez longuement pour allumer/éteindre la lumière, cliquez pour changer le niveau de luminosité et les modes de flash, et double-cliquez pour basculer d'un mode à l'autre. La fonction de mémoire de mode enregistre le dernier mode et la dernière luminosité sélectionnés.

VERROUILLAGE: Lorsque le voyant est éteint, appuyez sur le bouton d'alimentation pendant environ 5 secondes jusqu'à ce que le voyant clignote en rouge.

DÉVERROUILLAGE: Lorsque le voyant est allumé (état verrouillé), appuyez sur le bouton d'alimentation pendant environ 5 secondes jusqu'à ce que le voyant devienne rouge en permanence.

(IT) Italia

FUNZIONAMENTO

Premere a lungo per accendere / spegnere la luce, cliccare per modificare il livello di luminosità e le modalità flash e fare doppio clic per cambiare modalità. La funzione di memorizzazione della modalità salverà l'ultima modalità e luminosità selezionate.

BLOCCO: Quando la luce è spenta, tenere premuto il pulsante di accensione per circa 5 secondi finché l'indicatore non lampeggia in rosso.

SBLOCCO: Quando la luce è bloccata, tenere premuto il pulsante di accensione per circa 5 secondi fino a quando l'indicatore diventa rosso fisso.

(PL) Polska

SPOSÓB OBSŁUGI

Długie naciśnięcie włącz/wyłącz światła, kliknięcie zmienia poziom jasności i tryby migania, a podwójne kliknięcie zmienia tryby przełączania. Funkcja pamiętania trybu zapisuje ostatnio wybrany tryb i jasność.

BLOKOWANIE: Przy nieświecącej się kontrolce, naciśnij i przytrzymaj przycisk zasilania przez około 5 sekund aż kontrolka zacznie migać na czerwono.

ODBLOKOWANIE: Przy zablokowanej kontrolce, naciśnij i przytrzymaj przycisk zasilania przez około 5 sekund aż kontrolka zacznie świecić na czerwono.

WARRANTY

Within 30 days of purchase: Return to the original seller for repair or replacement.

Within 2 years of purchase: Return to Olight for repair or replacement.

This warranty does not cover normal wear and tear, modifications, misuse, disintegrations, negligence, accidents, improper maintenance, or repair by anyone other than an authorized retailer or Olight itself.

USA Customer Support

cs@lightstore.com

Global Customer Support

customer-service@lightworld.com

Visit www.oightworld.com to see our complete product line of portable illumination tools.